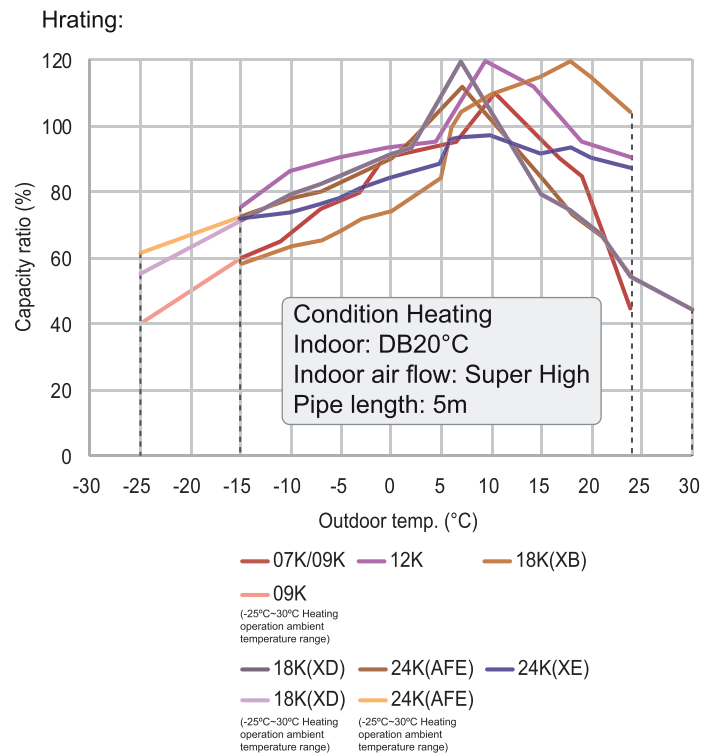
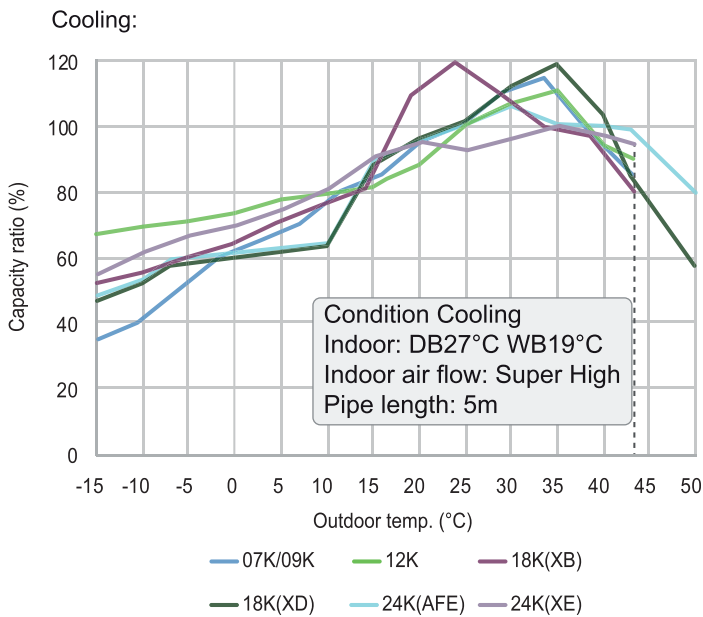


Model		-	SOH12CH-E32DA1D
Product Code		-	CB574001800
Power Supply	Rated Voltage	V~	220-240
	Rated Frequency	Hz	50
	Phases	-	1
Power Supply Mode		-	Outdoor
Cooling Capacity		W	3200
Heating Capacity		W	3400
Cooling Power Input		W	933
Heating Power Input		W	872
Cooling Power Current		A	4.14
Heating Power Current		A	3.87
Rated Input		W	1500
Rated Cooling Current		A	6.5
Rated Heating Current		A	7.5
Air Flow Volume		m ³ /h	650/550/470/420/380/350/310
Dehumidifying Volume		L/h	1.4
EER		W/W	3.43
COP		W/W	3.90
SEER		-	6.5
SCOP (Average/Warmer/Colder)		-	4.1/5.1/-
Application Area		m ²	15-22
Indoor Unit	Model of indoor unit		SOH12CH-E32DA1D/I
	Indoor Unit Product Code		CB574N01800
	Fan Type		Cross-flow
	Fan Diameter Length(DXL)		mm Φ94×630
	Cooling Speed		r/min 1350/1100/1000/950/900/800/750
	Heating Speed		r/min 1350/1100/1000/950/900/850/800
	Fan Motor Power Output		W 20
	Fan Motor RLA		A 0.3
	Fan Motor Capacitor		μF 1.5
	Evaporator Form		- Aluminum Fin-copper Tube
	Evaporator Pipe Diameter		mm Φ5
	Evaporator Row-fin Gap		mm 2-1.3
	Evaporator Coil Length (LXDXW)		mm 634×22.8×266.7
	Swing Motor Model		- MP24HF/MP24HF
	Swing Motor Power Output		W 1.5/1.5
	Fuse Current		A 3.15
	Sound Pressure Level		dB (A) Cooling: 42/38/35/33/29/26/23 Heating: 42/37/35/33/30/26/25
	Sound Power Level		dB (A) Cooling: 59/50/47/45/41/38/35 Heating: 59/49/47/45/42/38/37
	Dimension (WXHxD)		mm 835X275X200
	Dimension of Carton Box (LXWXH)		mm 890X329X260
Dimension of Package (LXWXH)		mm 895X345X271	
Net Weight		kg 9	
Gross Weight		kg 11	

Outdoor Unit	Outdoor Unit Model	-	SOH12CH-E32DA1D/O
	Outdoor Unit Product Code	-	CB574W01800
	Compressor Manufacturer	-	ZHUHAI LANDA COMPRESSOR CO., LTD.
	Compressor Model	-	QXF-N088zC170
	Compressor Oil	-	FW68DA or equivalent
	Compressor Type	-	Rotary
	Compressor LRA.	A	/
	Compressor RLA	A	3.6
	Compressor Power Input	W	758
	Compressor Overload Protector	-	/
	Throttling Method	-	Capillary
	Set Temperature Range	°C	16~30
	Cooling Operation Ambient Temperature Range	°C	-15~43
	Heating Operation Ambient Temperature Range	°C	-15~24
	Condenser Form	-	Aluminum Fin-copper Tube
	Condenser Pipe Diameter	mm	Φ7
	Condenser Rows-fin Gap	mm	1-1.2
	Condenser Coil Length (LXD _{XW})	mm	700×19.05×528
	Fan Motor Speed	rpm	900
	Fan Motor Power Output	W	30
	Fan Motor RLA	A	0.4
	Fan Motor Capacitor	μF	/
	Outdoor Unit Air Flow Volume	m ³ /h	1950
	Fan Type	-	Axial-flow
	Fan Diameter	mm	Φ400
	Defrosting Method	-	Automatic Defrosting
	Climate Type	-	T1
	Isolation	-	I
	Moisture Protection	-	IPX4
	Permissible Excessive Operating Pressure for the Discharge Side	MP	4.3
	Permissible Excessive Operating Pressure for the Suction Side	MP	2.5
	Sound Pressure Level	dB (A)	52
	Sound Power Level	dB (A)	63
Dimension(WXHXD)	mm	732X555X330	
Dimension of Carton Box (LXWXH)	mm	791X373X590	
Dimension of Package(LXWXH)	mm	794X376X615	
Net Weight	kg	25	
Gross Weight	kg	27.5	
Refrigerant	-	R32	
Refrigerant Charge	kg	0.59	
Connection Pipe	Connection Pipe Length	m	5
	Connection Pipe Gas Additional Charge	g/m	16
	Outer Diameter Liquid Pipe	inch	1/4
	Outer Diameter Gas Pipe	inch	3/8
	Max Distance Height	m	10
	Max Distance Length	m	20
Note: The connection pipe applies metric diameter.			

The above data is subject to change without notice. Please refer to the nameplate of the unit.

2.2 Capacity Variation Ratio According to Temperature



2.3 Cooling and Heating Data Sheet in Rated Frequency

Cooling:

Rated cooling condition(°C) (DB/WB)		Model	Pressure of gas pipe connecting indoor and outdoor unit P (MPa)	Inlet and outlet pipe temperature of heat exchanger		Fan speed of indoor unit	Fan speed of outdoor unit
Indoor	Outdoor			T1 (°C)	T2 (°C)		
27/19	35/24	07K / 09K	0.8 ~ 1.1	12 ~ 15	68 ~ 38	Super High	High
27/19	35/24	18K	0.9 ~ 1.1	12 ~ 14	75 ~ 37	Super High	High
27/19	35/24	12K / 24K	0.9 ~ 1.1	12 ~ 14	75 ~ 37	Super High	High

Heating:

Rated heating condition(°C) (DB/WB)		Model	Pressure of gas pipe connecting indoor and outdoor unit P (MPa)	Inlet and outlet pipe temperature of heat exchanger		Fan speed of indoor unit	Fan speed of outdoor unit
Indoor	Outdoor			T1 (°C)	T2 (°C)		
20/-	7/6	07K / 09K	2.8 ~ 3.2	63 ~ 35	2 ~ 5	Super High	High
20/-	7/6	18K	2.2 ~ 2.4	70 ~ 40	1 ~ 5	Super High	High
20/-	7/6	12K / 24K	2.2 ~ 2.4	70 ~ 35	2 ~ 4	Super High	High

Instruction:

T1: Inlet and outlet pipe temperature of evaporator

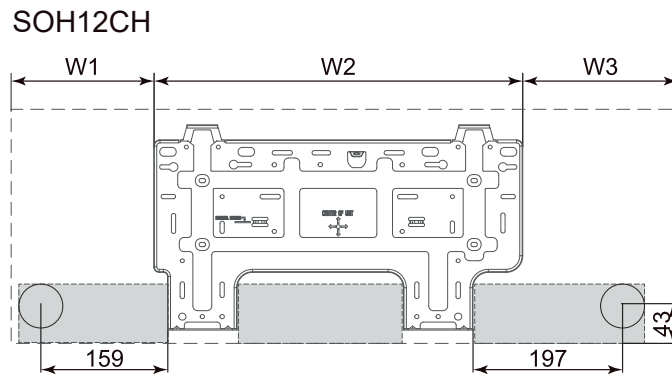
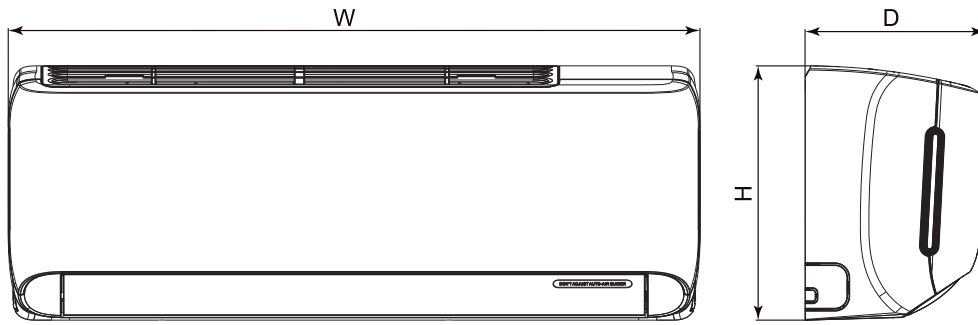
T2: Inlet and outlet pipe temperature of condenser

P: Pressure at the side of big valve

Connection pipe length: 5 m.

3. Outline Dimension Diagram

3.1 Indoor Unit

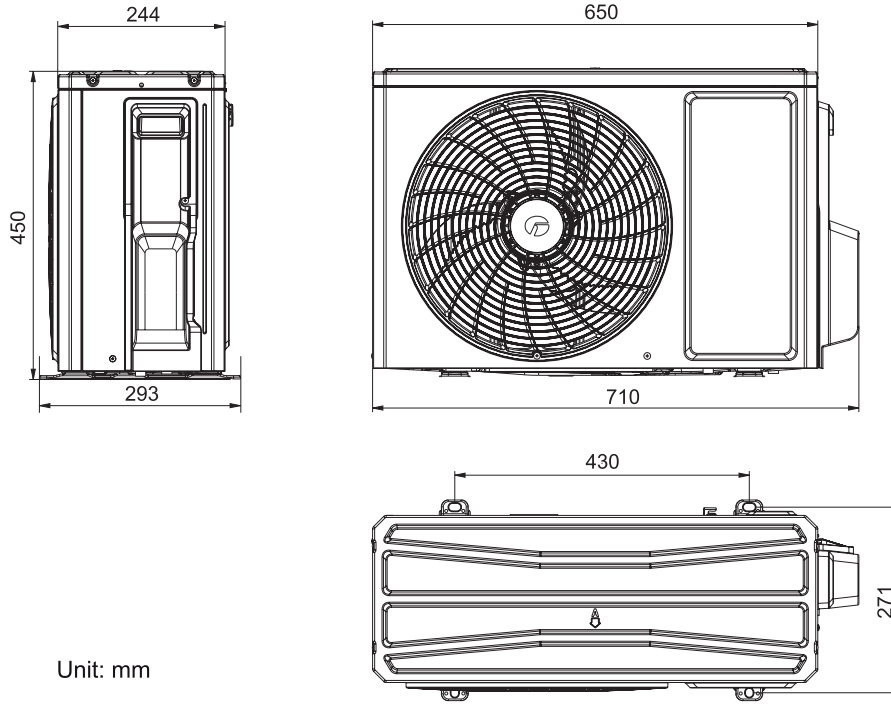


Unit:mm

Model	W	H	D	W1	W2	W3
ATC	835	275	200	178	462	195

3.2 Outdoor Unit

07K



09K / 12K / 18K(XB)

