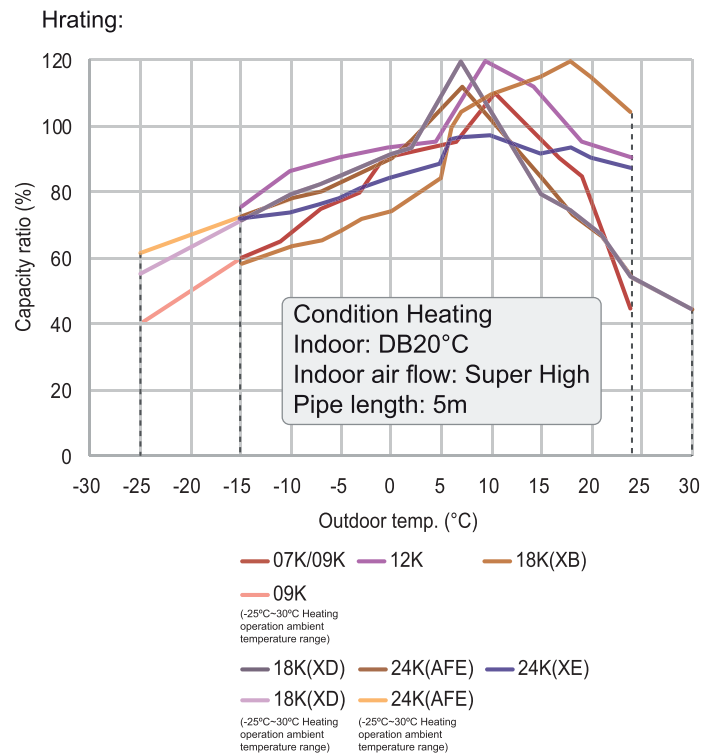
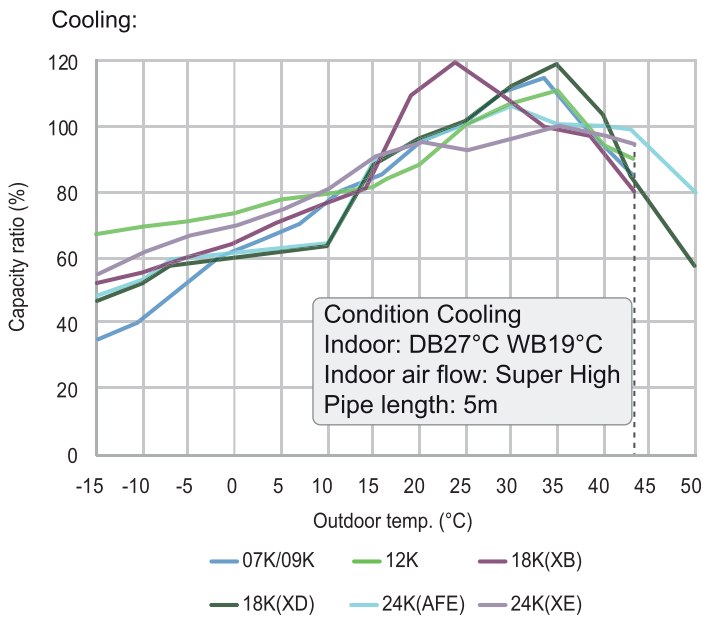


Model		-	SOH09CH-E32DA1B
Product Code		-	B574002100
Power Supply	Rated Voltage	V~	220-240
	Rated Frequency	Hz	50
	Phases	-	1
Power Supply Mode		-	Outdoor
Cooling Capacity		W	2700
Heating Capacity		W	2800
Cooling Power Input		W	725
Heating Power Input		W	685
Cooling Power Current		A	3.45
Heating Power Current		A	3.19
Rated Input		W	1500
Rated Cooling Current		A	6
Rated Heating Current		A	7.5
Air Flow Volume		m ³ /h	550/520/480/400/340/310/280
Dehumidifying Volume		L/h	0.8
EER		W/W	3.72
COP		W/W	4.09
SEER		-	6.8
SCOP (Average/Warmer/Colder)		-	4.2/5.3/-
Application Area		m ²	10-16
Indoor Unit	Model of indoor unit		SOH09CH-E32DA1B/I
	Indoor Unit Product Code		CB574N02100
	Fan Type		Cross-flow
	Fan Diameter Length(DXL)		Φ92×580
	Cooling Speed		1300/1200/1120/1050/920/800/750
	Heating Speed		1300/1200/1120/1050/950/850/800
	Fan Motor Power Output		20
	Fan Motor RLA		0.22
	Fan Motor Capacitor		1
	Evaporator Form		Aluminum Fin-copper Tube
	Evaporator Pipe Diameter		Φ5
	Evaporator Row-fin Gap		2-1.4
	Evaporator Coil Length (LXDXW)		584×22.8×266.7
	Swing Motor Model		MP24HF/MP24HF
	Swing Motor Power Output		1.5/1.5
	Fuse Current		3.15
	Sound Pressure Level		Cooling: 40/37/35/33/29/26/21 Heating: 40/37/35/33/30/26/24
	Sound Power Level		Cooling: 56/49/47/45/41/37/34 Heating: 55/49/47/45/42/38/35
	Dimension (WXHDXD)		783X260X185
	Dimension of Carton Box (LXWXH)		823X316X247
Dimension of Package (LXWXH)		828X332X258	
Net Weight		kg	8
Gross Weight		kg	9.5

Outdoor Unit	Outdoor Unit Model	-	SOH09CH-E32DA1B/O
	Outdoor Unit Product Code	-	CB385W17100
	Compressor Manufacturer	-	ZHUHAI LANDA COMPRESSOR CO., LTD.
	Compressor Model	-	QXF-A082zC170
	Compressor Oil	-	ZE-G;ES RB68GX or equivalent
	Compressor Type	-	Rotary
	Compressor LRA.	A	15
	Compressor RLA	A	2.56
	Compressor Power Input	W	757
	Compressor Overload Protector	-	/
	Throttling Method	-	Capillary
	Set Temperature Range	°C	16~30
	Cooling Operation Ambient Temperature Range	°C	-15~43
	Heating Operation Ambient Temperature Range	°C	-15~24
	Condenser Form	-	Aluminum Fin-copper Tube
	Condenser Pipe Diameter	mm	Φ7
	Condenser Rows-fin Gap	mm	1-1.2
	Condenser Coil Length (LXD _{XW})	mm	666×19.05×527
	Fan Motor Speed	rpm	850
	Fan Motor Power Output	W	30
	Fan Motor RLA	A	0.4
	Fan Motor Capacitor	μF	/
	Outdoor Unit Air Flow Volume	m ³ /h	1950
	Fan Type	-	Axial-flow
	Fan Diameter	mm	Φ400
	Defrosting Method	-	Automatic Defrosting
	Climate Type	-	T1
	Isolation	-	I
	Moisture Protection	-	IPX4
	Permissible Excessive Operating Pressure for the Discharge Side	MPa	4.3
	Permissible Excessive Operating Pressure for the Suction Side	MPa	2.5
	Sound Pressure Level	dB (A)	51
	Sound Power Level	dB (A)	60
Dimension(WXHXD)	mm	732X555X330	
Dimension of Carton Box (LXWXH)	mm	791X373X590	
Dimension of Package(LXWXH)	mm	794X376X615	
Net Weight	kg	24.5	
Gross Weight	kg	27	
Refrigerant	-	R32	
Refrigerant Charge	kg	0.5	
Connection Pipe	Connection Pipe Length	m	5
	Connection Pipe Gas Additional Charge	g/m	16
	Outer Diameter Liquid Pipe	inch	1/4
	Outer Diameter Gas Pipe	inch	3/8
	Max Distance Height	m	10
	Max Distance Length	m	15
Note: The connection pipe applies metric diameter.			

The above data is subject to change without notice. Please refer to the nameplate of the unit.

2.2 Capacity Variation Ratio According to Temperature



2.3 Cooling and Heating Data Sheet in Rated Frequency

Cooling:

Rated cooling condition(°C) (DB/WB)		Model	Pressure of gas pipe connecting indoor and outdoor unit P (MPa)	Inlet and outlet pipe temperature of heat exchanger		Fan speed of indoor unit	Fan speed of outdoor unit
Indoor	Outdoor			T1 (°C)	T2 (°C)		
27/19	35/24	07K / 09K	0.8 ~ 1.1	12 ~ 15	68 ~ 38	Super High	High
27/19	35/24	18K	0.9 ~ 1.1	12 ~ 14	75 ~ 37	Super High	High
27/19	35/24	12K / 24K	0.9 ~ 1.1	12 ~ 14	75 ~ 37	Super High	High

Heating:

Rated heating condition(°C) (DB/WB)		Model	Pressure of gas pipe connecting indoor and outdoor unit P (MPa)	Inlet and outlet pipe temperature of heat exchanger		Fan speed of indoor unit	Fan speed of outdoor unit
Indoor	Outdoor			T1 (°C)	T2 (°C)		
20/-	7/6	07K / 09K	2.8 ~ 3.2	63 ~ 35	2 ~ 5	Super High	High
20/-	7/6	18K	2.2 ~ 2.4	70 ~ 40	1 ~ 5	Super High	High
20/-	7/6	12K / 24K	2.2 ~ 2.4	70 ~ 35	2 ~ 4	Super High	High

Instruction:

T1: Inlet and outlet pipe temperature of evaporator

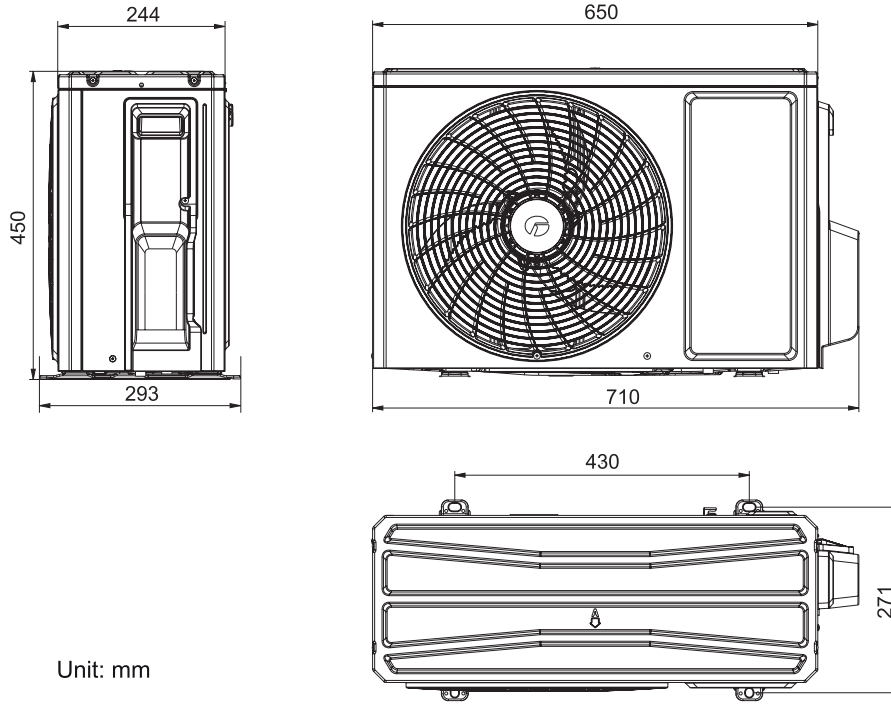
T2: Inlet and outlet pipe temperature of condenser

P: Pressure at the side of big valve

Connection pipe length: 5 m.

3.2 Outdoor Unit

07K



09K / 12K / 18K(XB)

